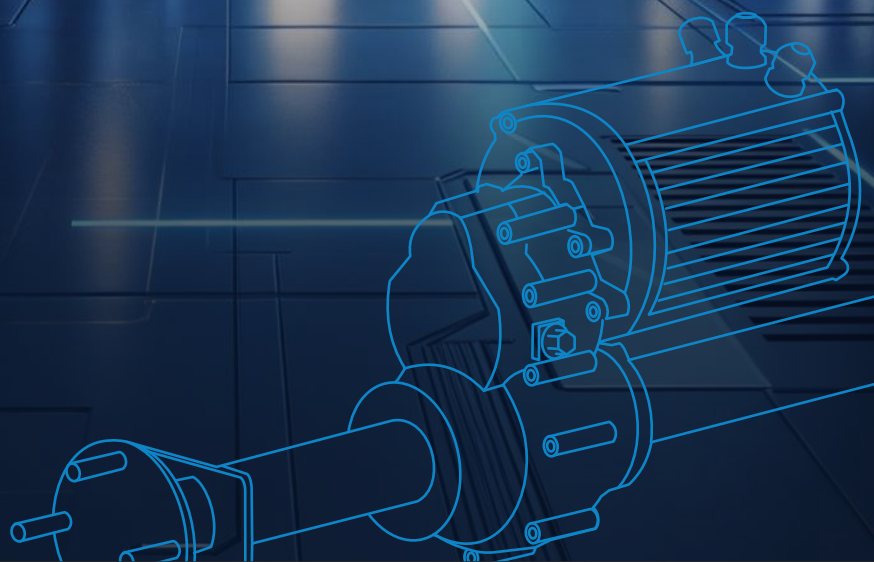




rotodrive
Powering e-mobility

DRIVE SOLUTIONS FOR E-VEHICLES





Rotodrive is a division of Rotomotive Powerdrives India Limited, part of the Rotomag Group, with over 25 years of expertise in manufacturing PMDC, BLDC, and AC motors, along with gearboxes for battery-operated, industrial, and marine applications.

Designed for the Indian operating environment, Rotodrive Drive Solutions deliver reliable performance under harsh conditions and wide temperature variations. What sets Rotomag apart is our ability to deliver true integration—a knowledge-driven process where we seamlessly connect the customer’s vehicle with our motor, controller, and axle. This isn’t just assembly; it’s expertise that ensures performance, reliability, and long-term value.

Unlike competitors who only source and distribute generic products, Rotodrive delivers complete end-to-end support backed by engineering excellence. This gives our customers a decisive advantage vis a vis working with the competition.

Backed by strong in-house R&D, rigorous testing, and a pan-India support network, Rotodrive enables dependable, high-efficiency drive trains and enhanced return on investment, positioning the brand as a trusted partner in advanced drive technologies.

12 LACS +

MOTORS & GEARBOXES
SUCCESSFULLY DELIVERED

70+

SERVICE CENTERS
IN INDIA

2 LACS Sq. Ft.

STATE-OF-THE-ART
MANUFACTURING FACILITY

35+

COUNTRIES SERVED
THROUGH GLOBAL EXPORTS

MANUFACTURING FACILITIES





E2 SERIES

MAIN FEATURES

- RngMX Motor • BLDC Motor • Fan Cooled • Hall Sensor
- IP - 67 • Pinion Shaft & Keyway Shaft
- Efficient Motor (BLDC \geq 80%, RngMX \geq 85% Efficiency)

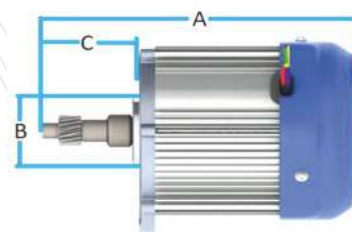


RngMX MOTOR SPECIFICATIONS & DIMENSIONS

Power (kW)	Rated Voltage (VDC)	Rated Torque (Nm)	Rated Current (Amps DC)	Rated Speed (RPM)	Pinion Data		Dimensional Data		
					Module	No. of Teeth	A	B	C
1	48	2.8	24.5	3400	1.25	16	212	50	66
1.2		3.4	29.5	3400					
1.5		3.7	37	3900			242		

BLDC MOTOR SPECIFICATIONS & DIMENSIONS

Power (kW)	Rated Voltage (VDC)	Rated Torque (Nm)	Rated Current (Amps DC)	Rated Speed (RPM)	Pinion Data		Dimensional Data		
					Module	No. of Teeth	A	B	C
1	48	3.5	32	3000	1.25	16	212	50	66
1.2		4.1	35	3500					
1.5		4.9	49	3500			242		

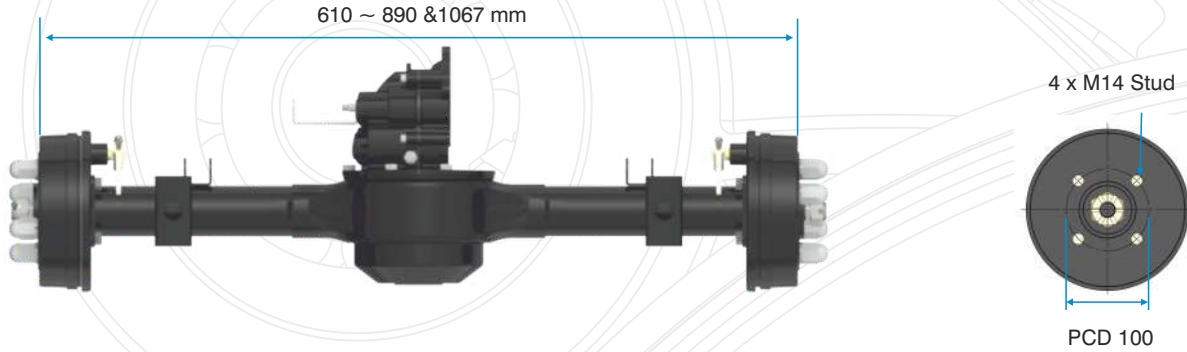


CONTROLLER SPECIFICATIONS

Power (kW)	Voltage (VDC)	Max. Current (Amps DC)	Cooling	Efficiency
1	48	50	Naturally Cooled	\geq 80%
1.2		55		
1.5		60		



GEARBOX & DIFFERENTIAL SPECIFICATIONS



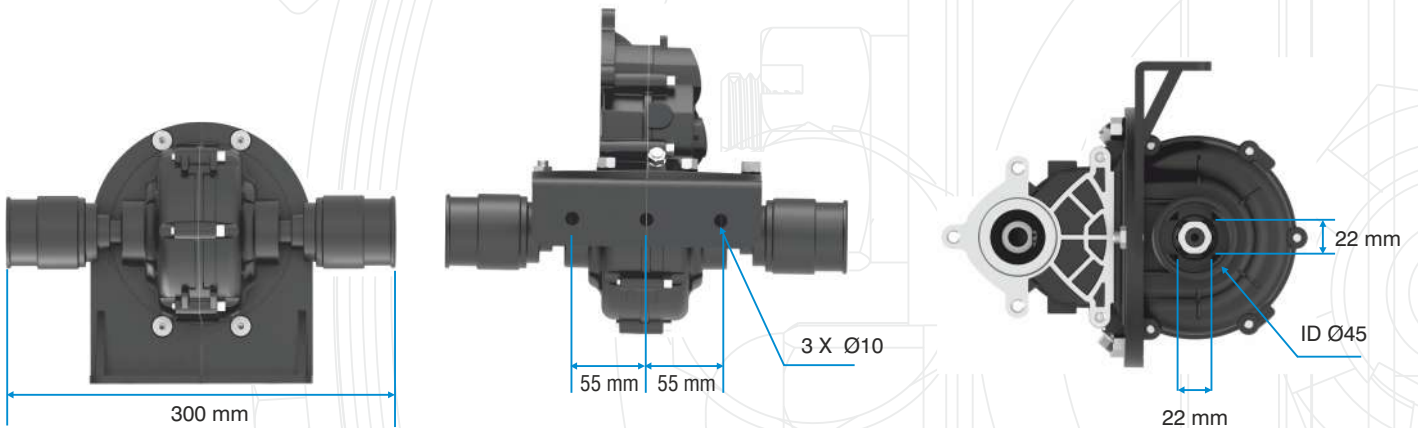
Single Speed Rigid Type Differential

Power (kW)	Size (mm)	Ratio (l)	Torque (Nm)	Brake
1	610~ 890 &1067	1:8.3 / 1:10 / 1:20.8	26 / 32 / 66	Ø160
1.2			31 / 37 / 77	Drum & Ø180
1.5			31 / 37 / 77	hydraulic brake
2			37 / 45 / 94	

Double Speed Rigid Type Differential

Power (kW)	Size (mm)	Ratio (l)	Torque (Nm)	Brake
1	610~ 890 &1067	1:8.3 & 1:20.8	26 & 66	Ø160
1.2			31 & 77	Drum & Ø180
1.5			31 & 77	hydraulic brake
2			37 & 94	

L3 FLOATING TYPE DIFFERENTIAL



Single Speed Differential

Power (kW)	Size (mm)	Ratio (l)	Torque (Nm)	Cup Details
1	300	1:8.3 / 1:10 / 1:20.8	26 / 32 / 66	Biopod Cups
1.2			31 / 37 / 77	
1.5			31 / 37 / 77	
2			37 / 45 / 94	

Double Speed Differential

Power (kW)	Size (mm)	Ratio (l)	Torque (Nm)	Cup Details
1	300	1:8.3 & 1:20.8	26 & 66	Biopod Cups
1.2			31 & 77	
1.5			31 & 77	
2			37 & 94	



E2X RIGID POWERTRAIN

MAIN FEATURES

- Suitable for medium speed vehicle (MSV)
- Available with Mechanical & Hydraulic Brake (Rigid Type)
- Ingress Protection - IP67
- Regeneration CAT A and CAT B
- Cost Effective (L3 < E2X < L5)
- Three Separate Lead Wires
- Motor with High Efficiency Sine Wave Technology
- Controller with Eco, Drive and Boost Mode

RngMX MOTOR SPECIFICATIONS & DIMENSIONS

Power (kW)	Rated Voltage (VDC)	Rated Torque (Nm)	Rated Current (Amps DC)	Rated Speed (RPM)	Spline Module	No. of Teeth	Dimensional Data		
							A	B	C
2	48/60	5	60	4000	1	18	191	50	25

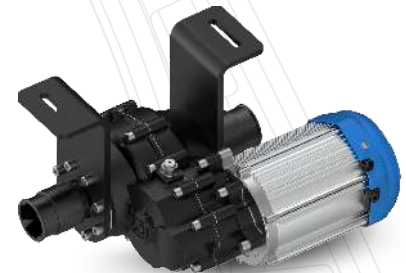


CONTROLLER SPECIFICATIONS

Power (kW)	Voltage (VDC)	Max Current Amps DC	Cooling	Efficiency
2	48/60	80	Natural Cooled	>90%



Available with CAN



RIGID TYPE DIFFERENTIAL

Power (kW)	Size (mm)	Ratio (I)	Torque (Nm)	Brake
2	1067	1:8 / 1:10	37/45/54	Ø160 mechanical / Ø180Hydraulicbrake

FLOATING TYPE DIFFERENTIAL

Power (kW)	Size (mm)	Ratio (I)	Torque (Nm)	Cups Details
2	300	1:8 / 1:10	37/45/54	Bipod Cups



E6 SERIES

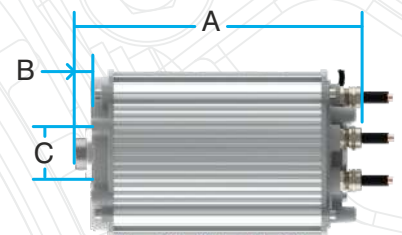
MAIN FEATURES

- PMSM Motor • Naturally Cooled
- Encoder • IP - 67
- Internal Spline Shaft
- Efficient Motor ($\geq 90\%$ - Efficiency)



MOTOR SPECIFICATIONS & DIMENSIONS

Power (kW)	Rated Voltage (VDC)	Rated Torque (Nm)	Rated Current (Amps DC)	Rated Speed (RPM)	Internal Spline Data		Dimensional Data		
					Module	No. of Teeth	A	B	C
3	48/ 60/ 72	6.4	59	4500	1	18	256	16	50
4		8.5	79				276		
5		10.6	98				296		
6		12.7	118				296		



CONTROLLER SPECIFICATIONS

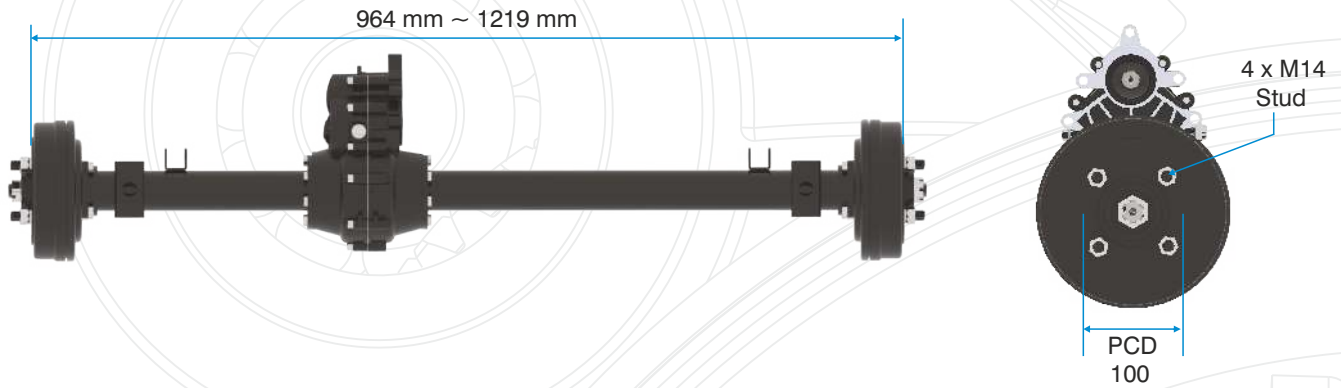
Power (kW)	Voltage (VDC)	Max. Current (Amps DC)	Cooling	Efficiency
3	48/ 60/ 72	100	Naturally Cooled	$\geq 90\%$
4		130		
5		190		
6		230		

Available with CAN



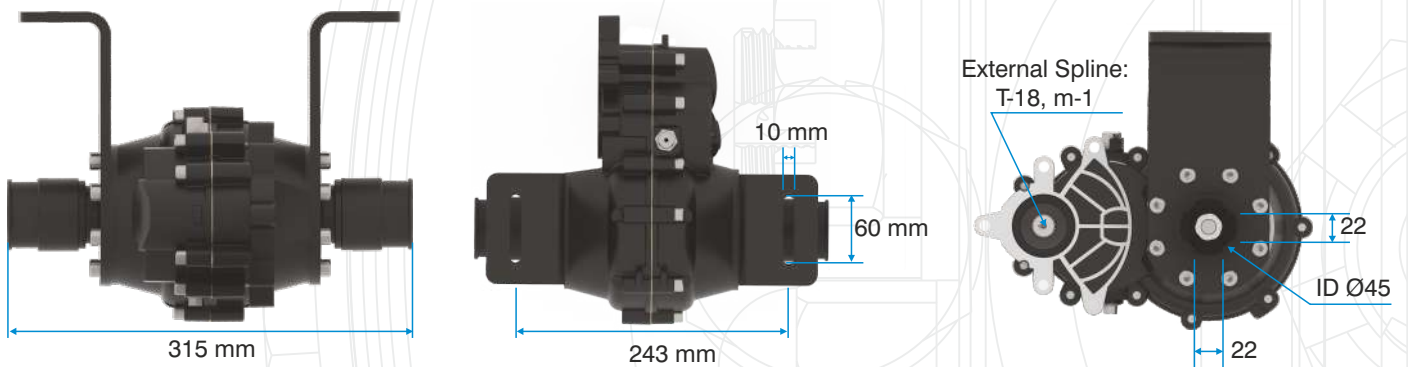
E6 SERIES

L5 SINGLE SPEED RIGID TYPE DIFFERENTIAL



Power (kW)	Size (mm)	Ratio (l)	Torque (Nm)	Brake
3	964 ~ 1219	1:8 / 1:10 / 1:12	68 / 86 / 103	Ø180/ Ø220
4			92 / 114 / 137	
5			114 / 143 / 172	
6			137 / 171 / 205	

L5 SINGLE SPEED FLOATING TYPE DIFFERENTIAL



Power (kW)	Size (mm)	Ratio (l)	Torque (Nm)	Cup Details
3	315	1:8 / 1:10 / 1:12	68 / 86 / 103	*Biopod cups
4			92 / 114 / 137	
5			114 / 143 / 172	
6			137 / 171 / 205	



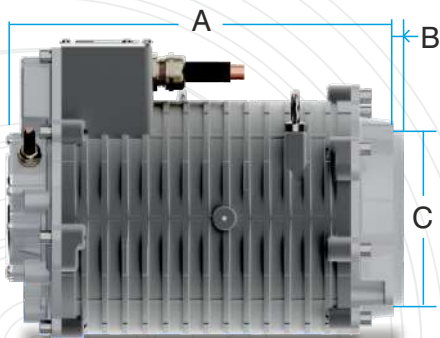
E10 & E15 SERIES

MAIN FEATURES

- PMSM Motor • Naturally Cooled • Liquid Cooled • Encoder • IP - 67
- Internal Spline Shaft • Efficient Motor ($\geq 90\%$ - Efficiency)

MOTOR SPECIFICATIONS & DIMENSIONS

Series	Power (kW)	Rated Voltage (VDC)	Rated Torque (Nm)	Rated Current (Amps DC)	Rated Speed (RPM)	Internal Spline Data		Dimensional Data		
						Module	No of Splines	A	B	C
E15 Series	7.5	72	23.8	115	3000	1	18	220	9.5	155
	10	92	31.8	154						
	15	96	57.3	160	2500			326		





E10 & E15 SERIES

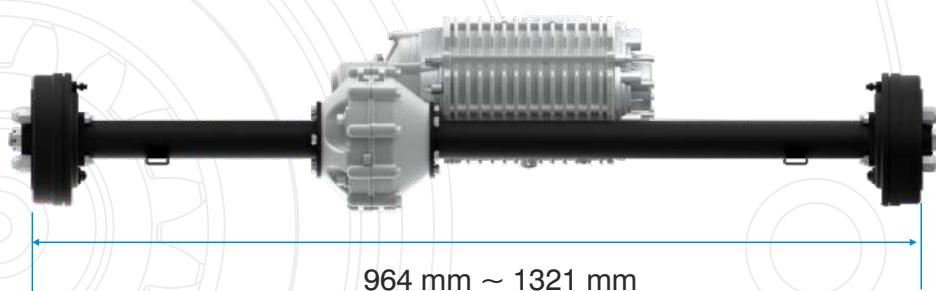
CONTROLLER SPECIFICATIONS

Series	Power (kW)	Voltage (VDC)	Max. Current (Amps DC)	Cooling	Efficiency
E15 Series	7.5	60/	220	Naturally Cooled	≥90%
	10	72/	280		
	15	96	420		



DIFFERENTIAL SPECIFICATIONS

Series	Power (kW)	Length (mm)	Ratio (l)	Torque (Nm)	Brake
E15 Series	7.5	964 ~1321	1:10/ 1:16	214/343	Ø180/ Ø220
	10			286/458	
	15			516/825	





AC/DC MOTORS, RAILWAY PRODUCTS ↗



↖ EV DRIVETRAIN, GEARBOXES AND SOLAR PUMPS



Rotomotive Powerdrives India Ltd.
223, Napa Talpad, Gana-Borsad Road,
Tal: Borsad, Anand-388560 Gujarat, India

Phone : +91 93167 49042 / +91 93279 22250
Email : rotodrive@rotomotive.com
Web : www.rotodrive.com

Technical specifications/details mentioned in this leaflet are subject to change without prior notice.
Please contact our sales/marketing team for any updated information or any change done.

Rotodrive™ is a brand of Rotomotive Powerdrives India Ltd.